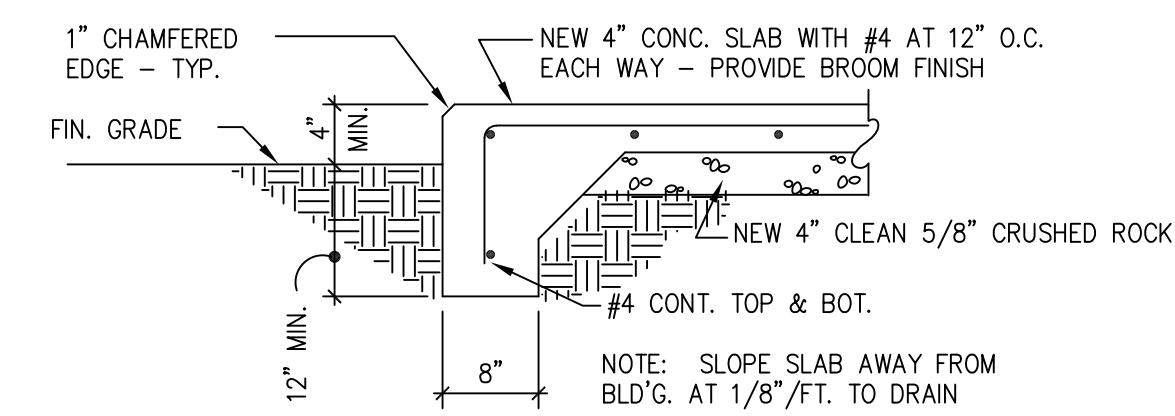
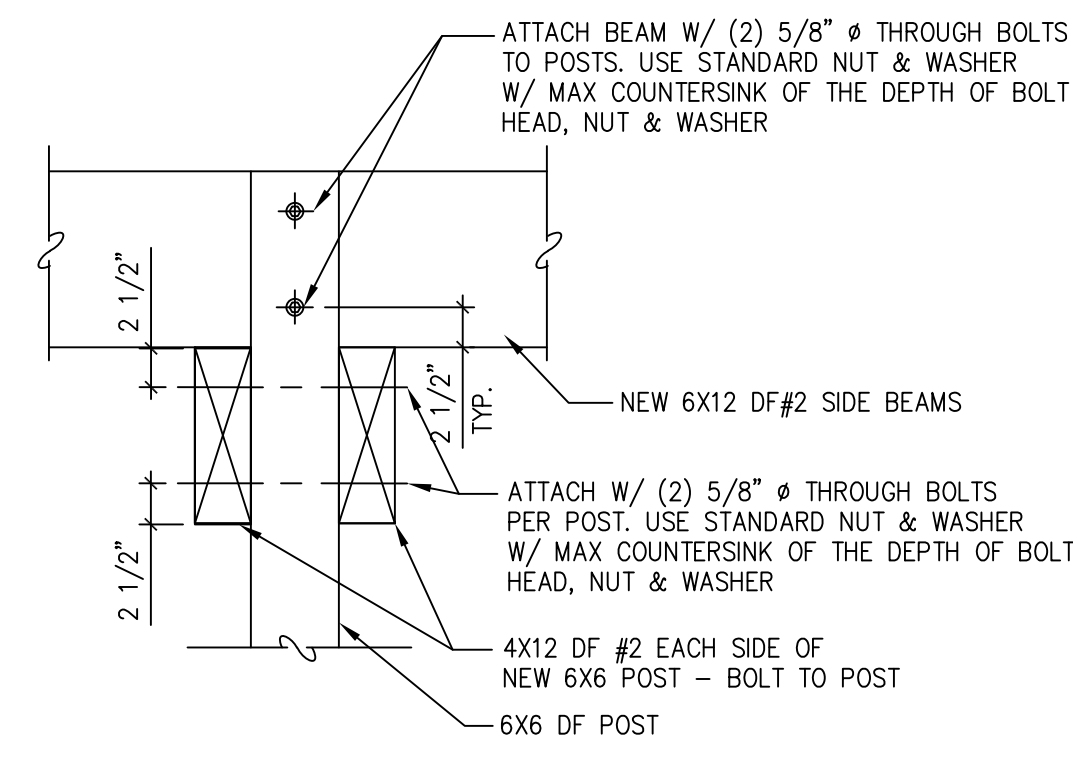


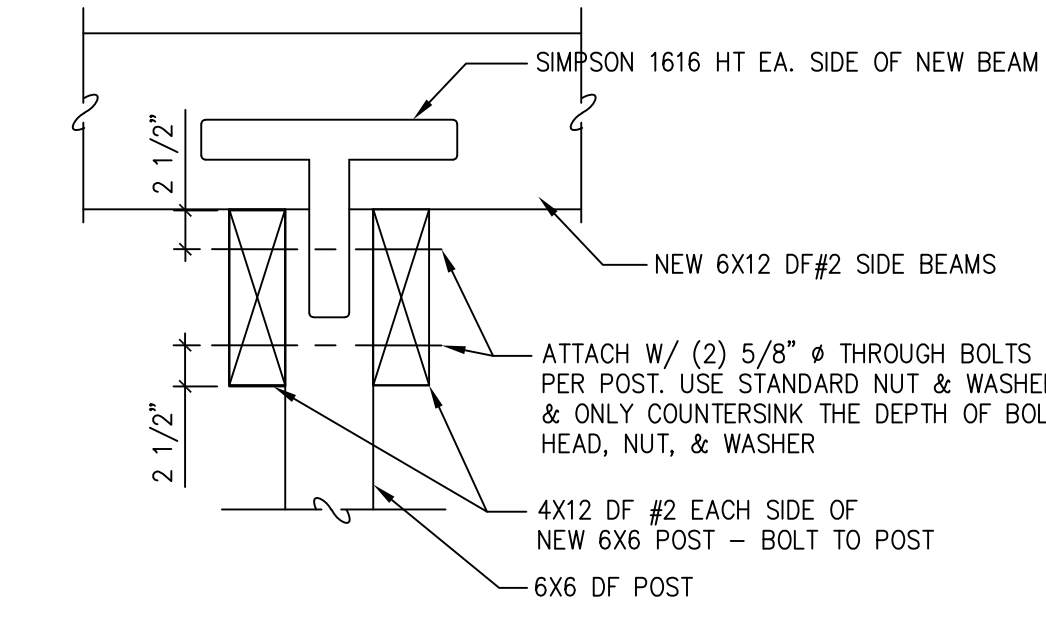
6 EAVE SOFFIT DTL.  
SCALE: 1 1/2" = 1'-0"



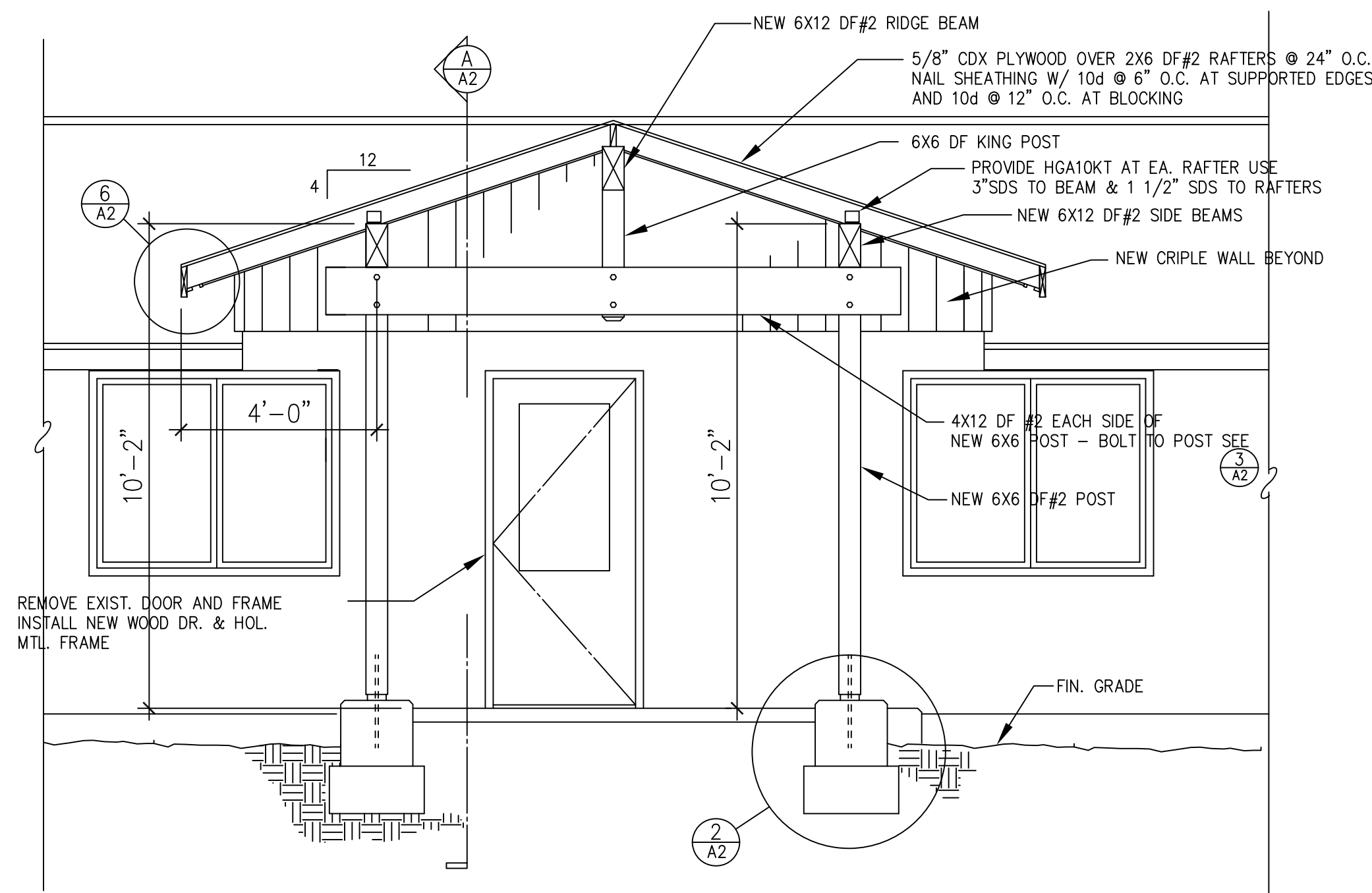
5 CONC. SLAB DETAIL  
SCALE: 3/4" = 1'-0"



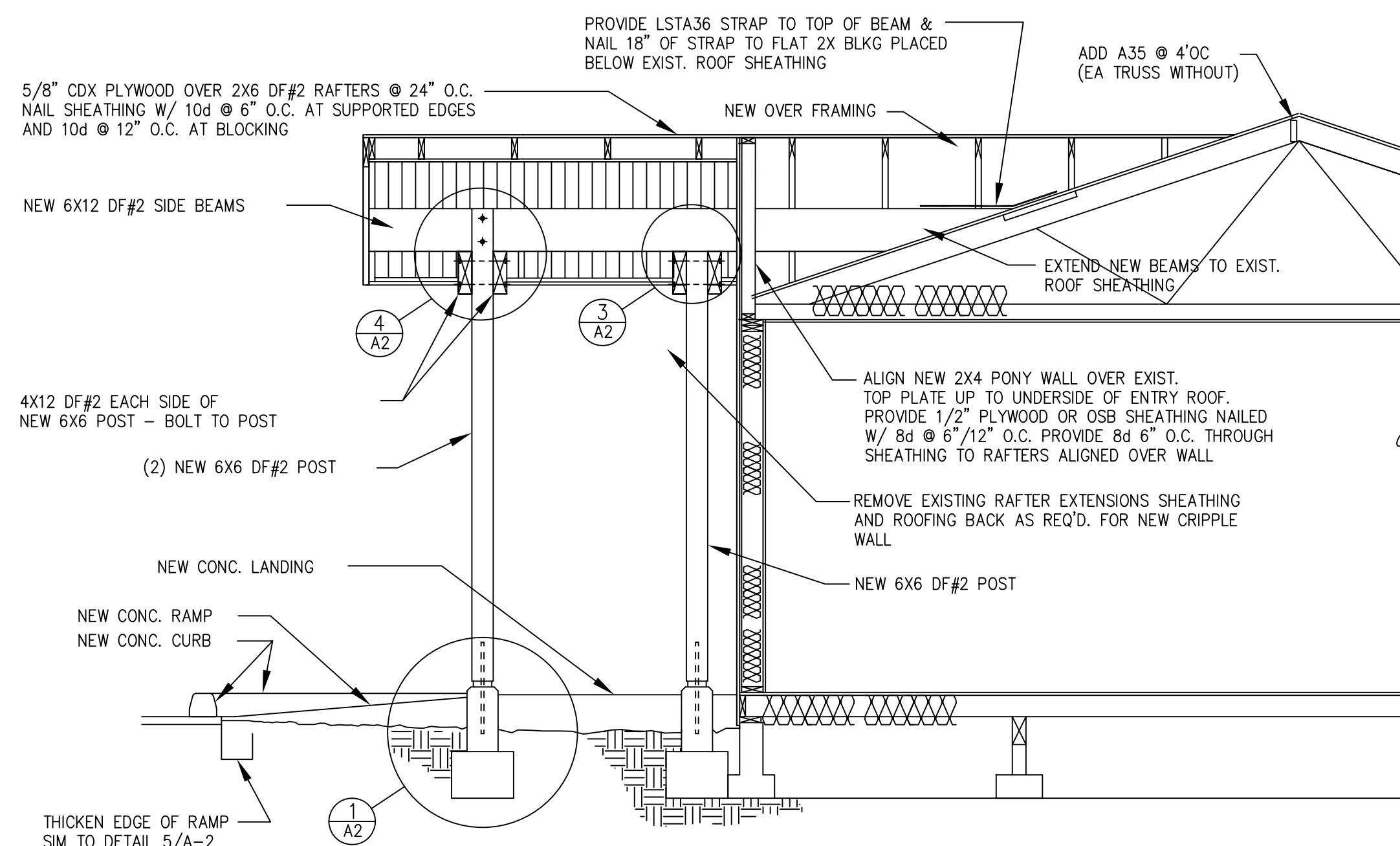
4 BEAM & POST CONNECTION  
SCALE: 1" = 1'-0"



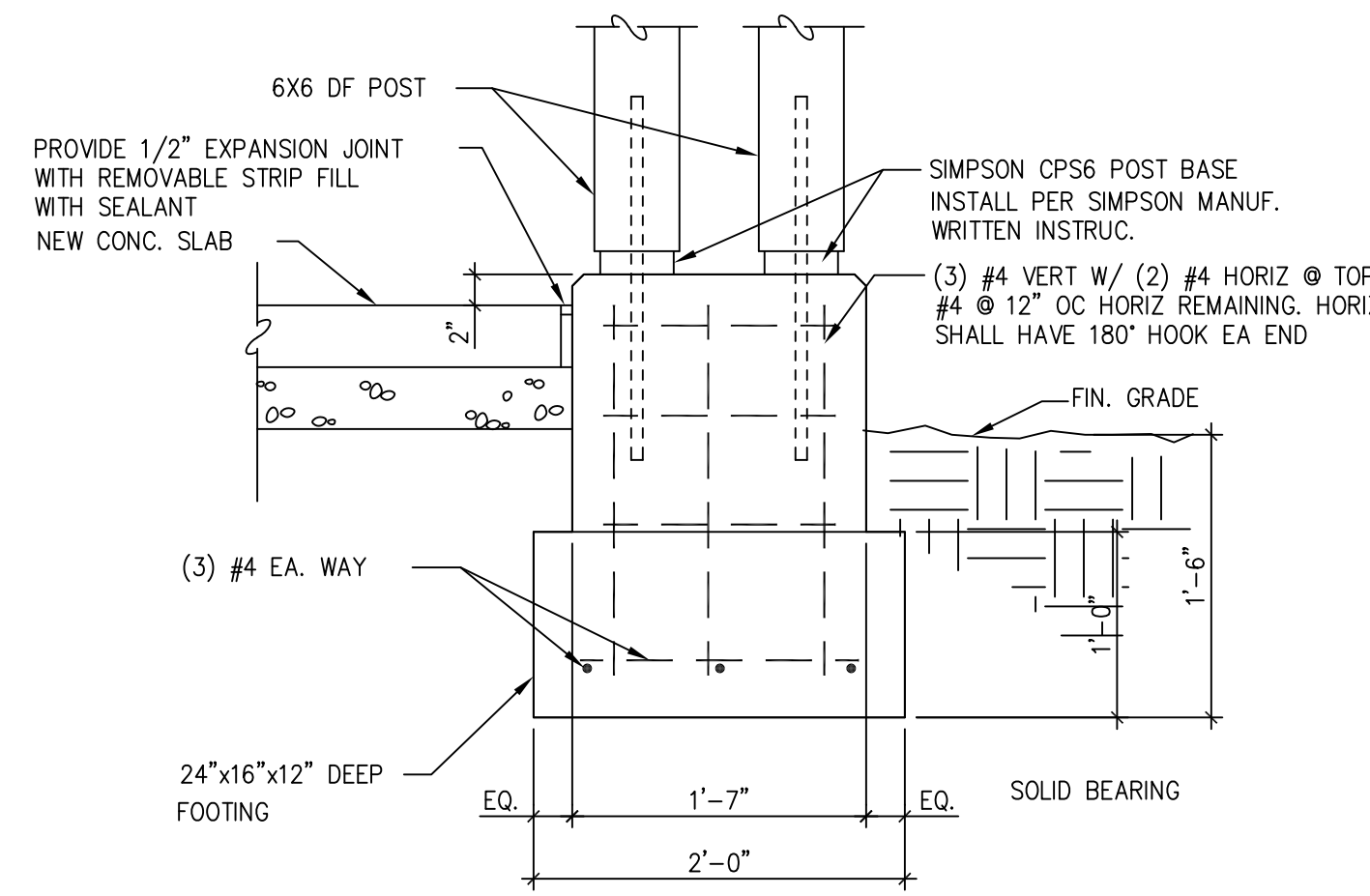
3 BEAM & POST CONNECTION  
SCALE: 1" = 1'-0"



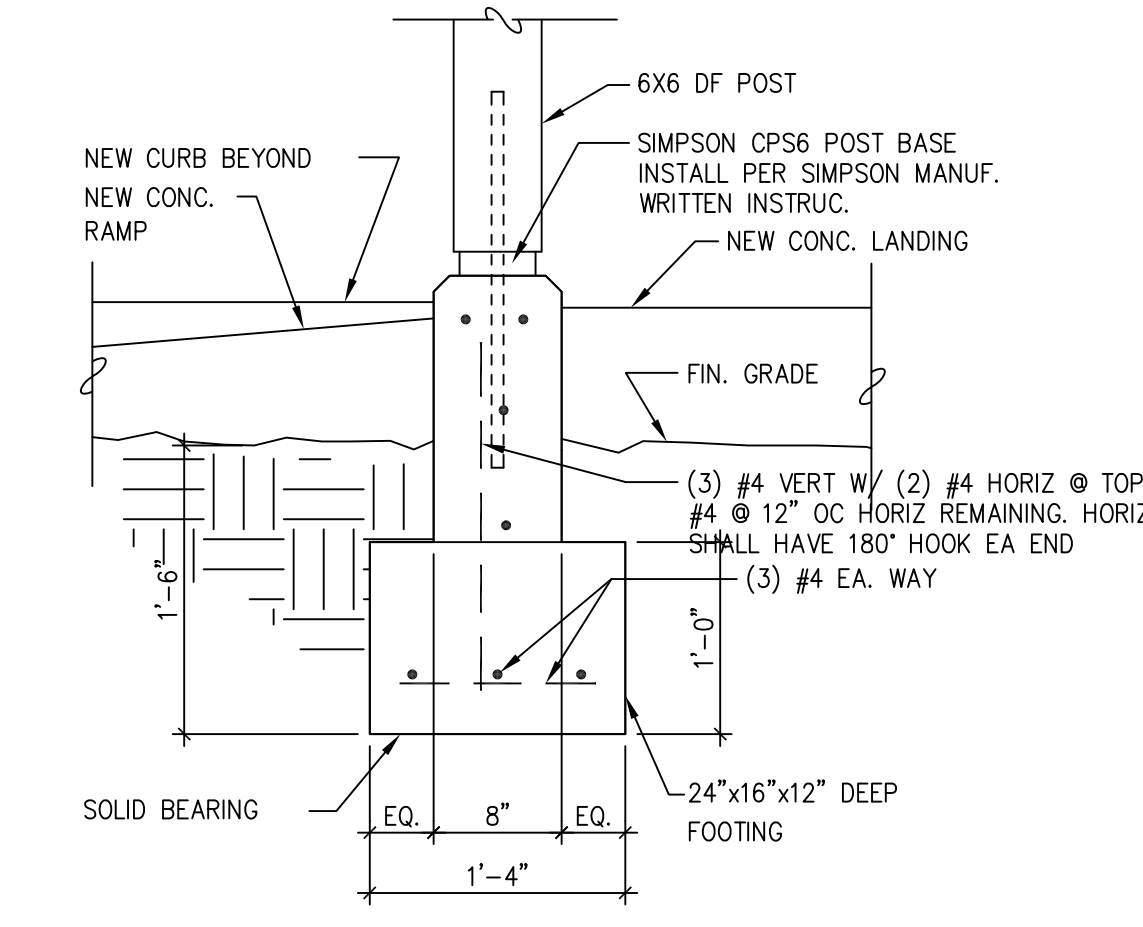
B CANOPY SECTION  
SCALE: 3/8" = 1'-0"



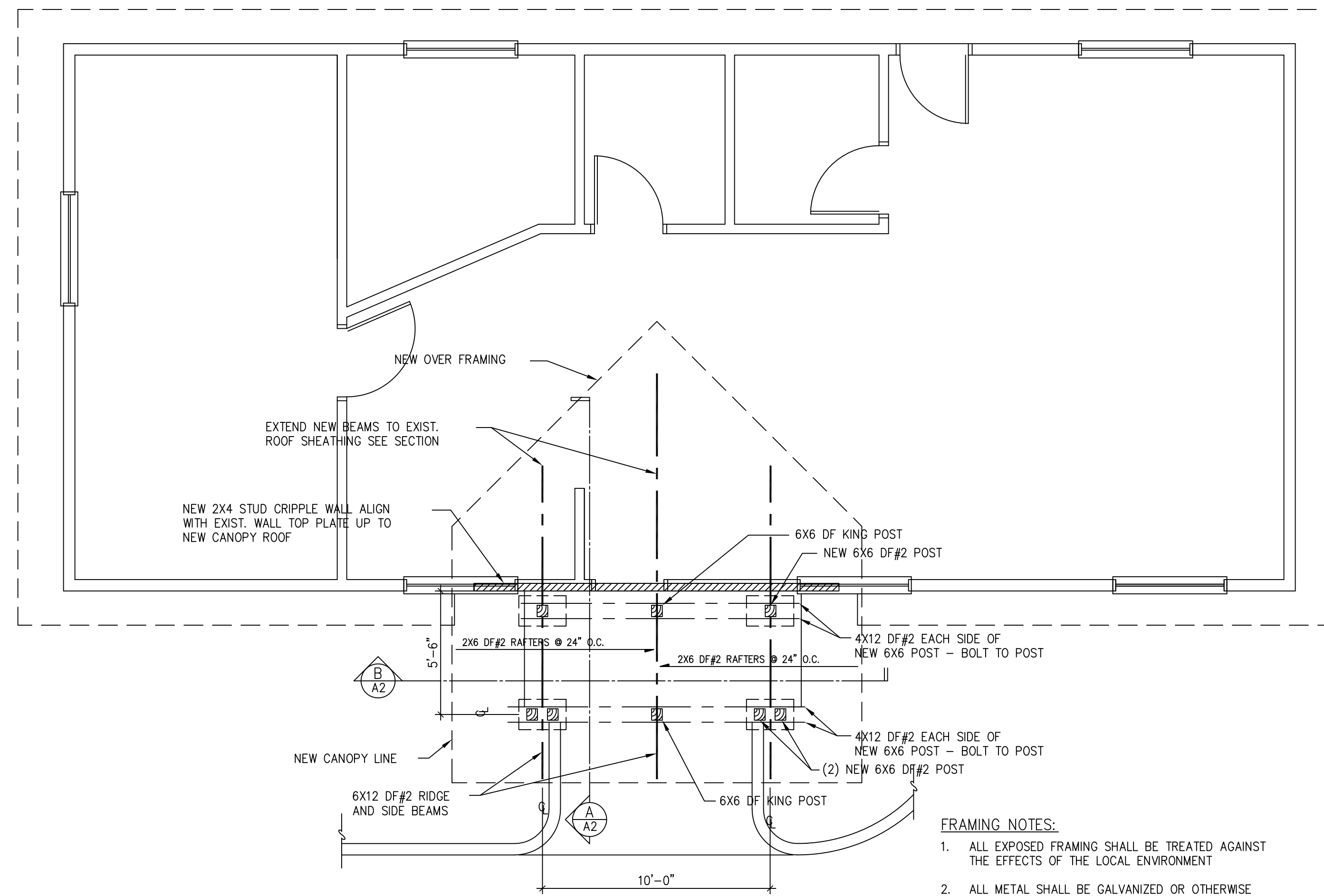
A CANOPY SECTION  
SCALE: 3/8" = 1'-0"



2 NEW FOOTING DTL.  
SCALE: 1" = 1'-0"



1 NEW FOOTING DTL.  
SCALE: 1" = 1'-0"



FRAMING PLAN  
SCALE: 1/4" = 1'-0"

- FRAMING NOTES:**
- ALL EXPOSED FRAMING SHALL BE TREATED AGAINST THE EFFECTS OF THE LOCAL ENVIRONMENT
  - ALL METAL SHALL BE GALVANIZED OR OTHERWISE RATED FOR EXTERIOR USE
  - PROVIDE FULL DEPTH BLKG. BETWEEN RAFTERS AT ALL BEAM LINES.
  - TOENAIL RAFTERS TO BEAMS W/ (3) 8d
  - NOTCH 1 1/4" MAX INTO RAFTER FOR FLAT BRNG

**SALASOBRIEN**  
10202 Fifth Avenue NE, Suite 300  
Seattle, WA 98125  
p. 206.547.1940 | f. 206.547.8212  
salasobrien.com

**KORD S KURISU**  
ARCHITECT  
P.O. BOX 92  
MUKILTEO, WASHINGTON 98275  
(425) 870-0368

CONSULTANT

**SIDEWAY**  
ENGINEERING  
www.sidewayengineering.com

PROFESSIONAL SEAL



**COPYRIGHT NOTICE**

THIS DRAWING WAS PREPARED FOR USE ON A SPECIFIC SITE CONTEMPORANEOUSLY WITH ITS ISSUE DATE AND IT IS NOT SUITABLE FOR USE ON A DIFFERENT PROJECT SITE OR AT A LATER TIME. USE OF THIS DRAWING FOR REFERENCE OR EXAMPLE ON ANOTHER PROJECT REQUIRES THE SERVICES OF PROPERLY LICENSED ARCHITECTS AND ENGINEERS. REPRODUCTION OF THIS DRAWING FOR REUSE ON ANOTHER PROJECT IS NOT AUTHORIZED AND MAY BE CONTRARY TO THE LAW.

**ISSUE SETS**

ISSUE	DATE

**REVISIONS**

NO.	DATE	DESCRIPTION

**SNO-ISLE LIBRARIES**  
**CLINTON LIBRARY**  
**NEW ENTRY CANOPY**  
4781 DEER LAKE ROAD  
CLINTON, WASHINGTON

PROJECT MANAGER:

CHECKED BY:

DRAWN BY:

DOCUMENT DATE:

SHEET NAME:

SHEET NO.

A-2

OF 1