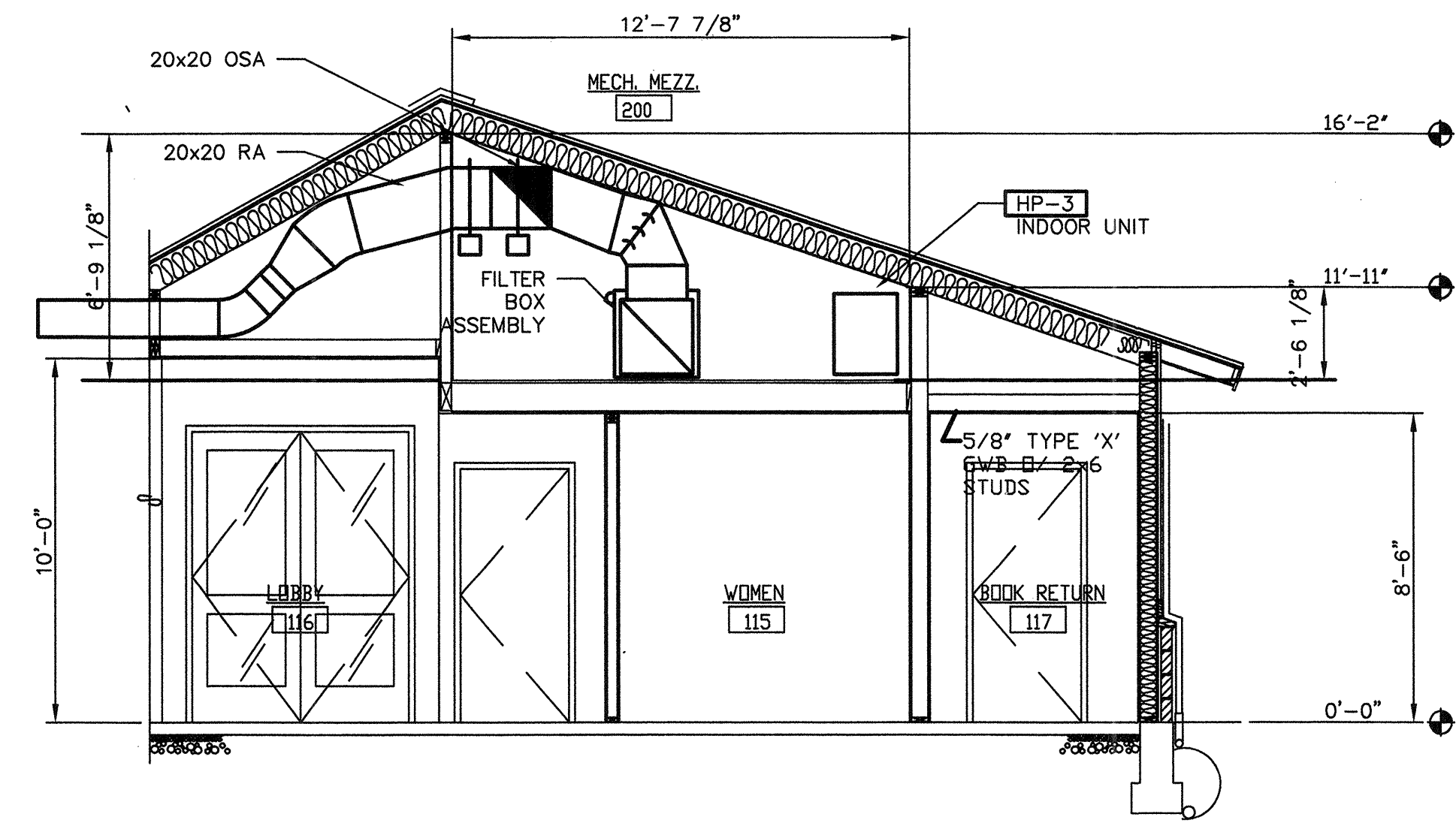
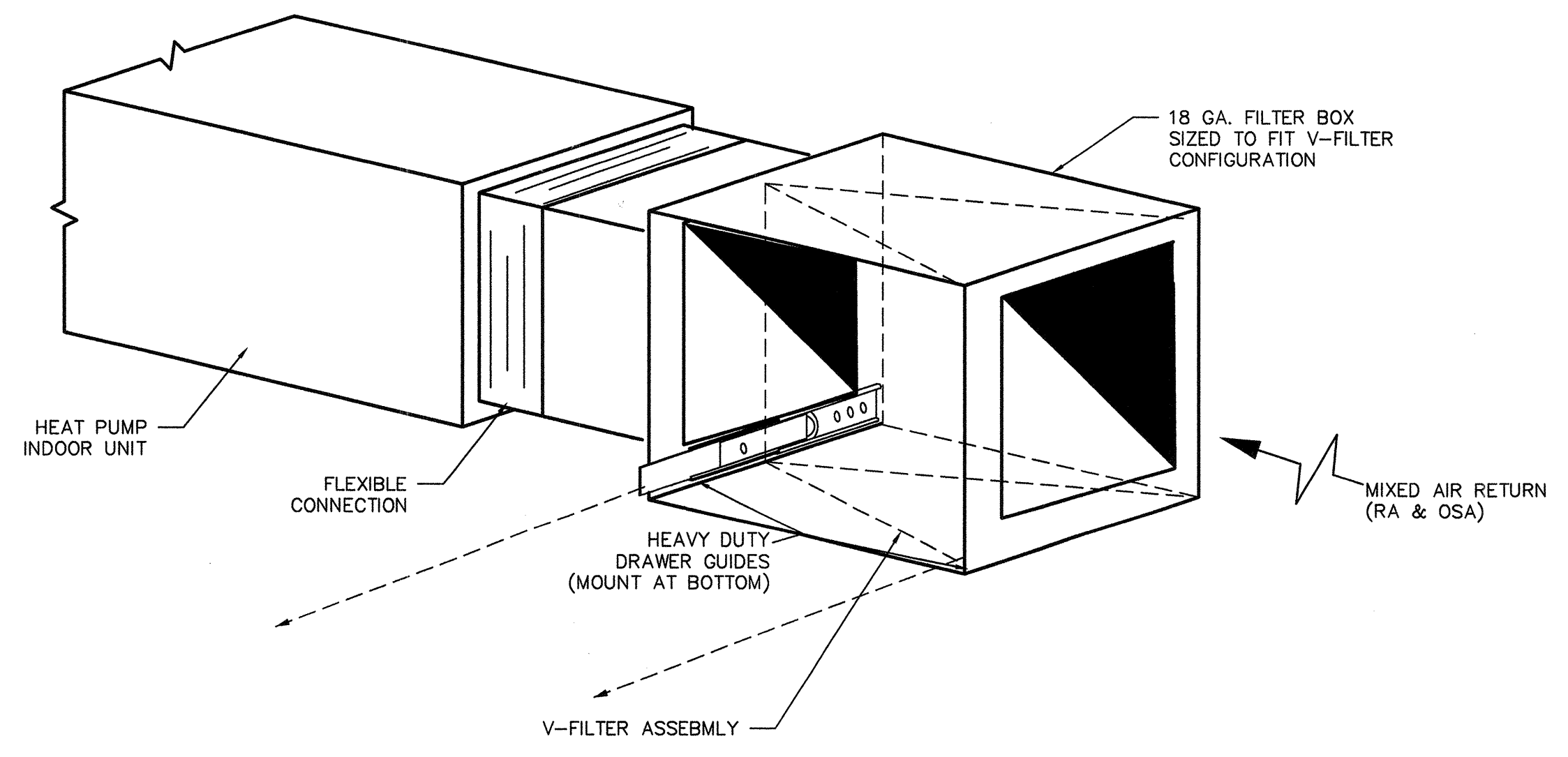


Drawn By: RH
Checked: RUB
Approved: R. JAMIESON

THE RICE GROUP, Inc.
Consulting Engineers
19015 36th Ave. W.
Suite E
Lynnwood, Wa. 98036
(425) 774-3829
(425) 672-2084 FAX

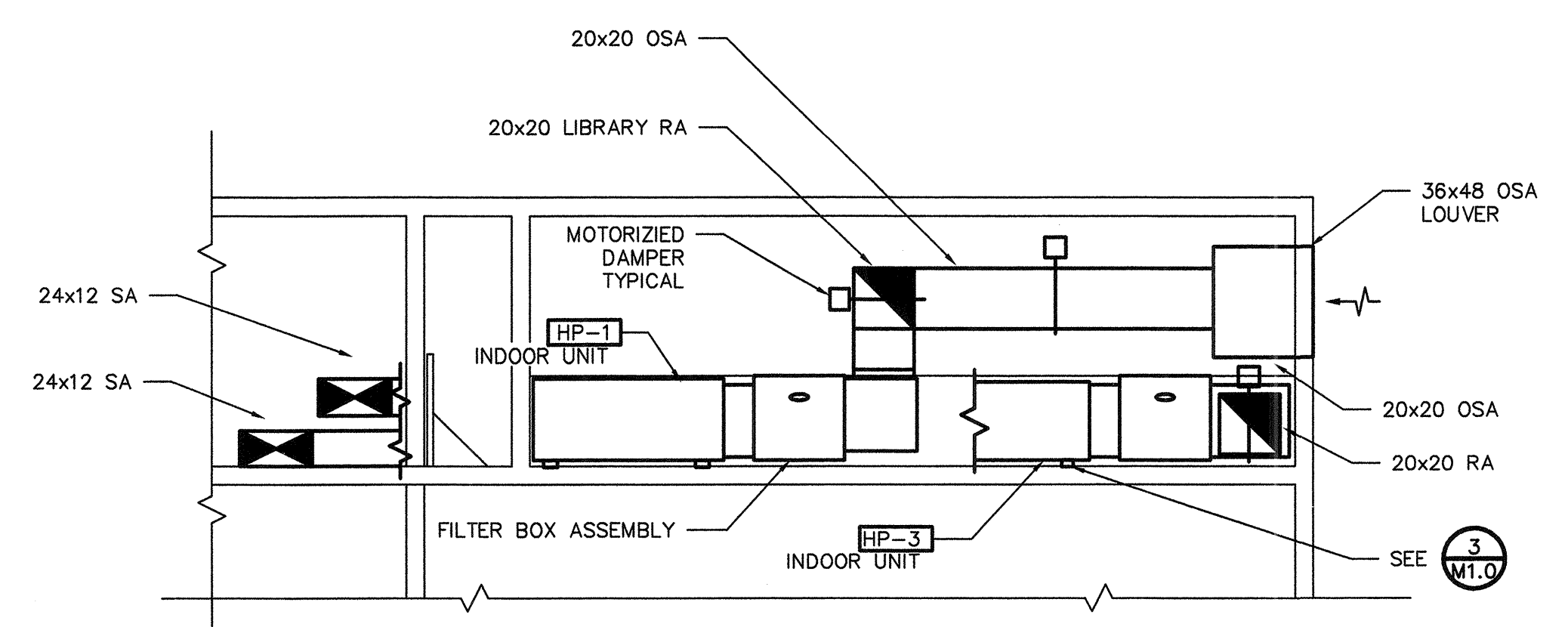


SECTION
SCALE: 1/4" = 1'-0"
B
M1.3

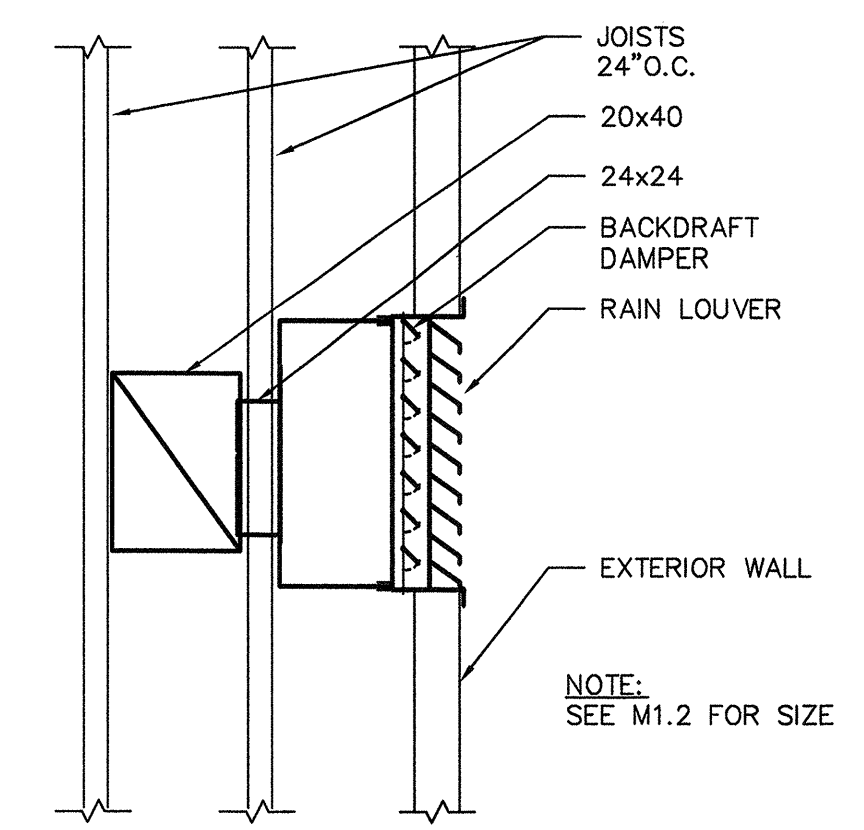


- NOTES:**
- V-FILTERS SHALL BE MOUNTED IN SHEET METAL DRAWER, GASKETED SIDE FLANGE.
 - SHEET METAL DRAWER SHALL CONNECT TO HEAVY DUTY DRAWER GUIDES IN FILTER BOX.
 - SEE SPECIFICATION.

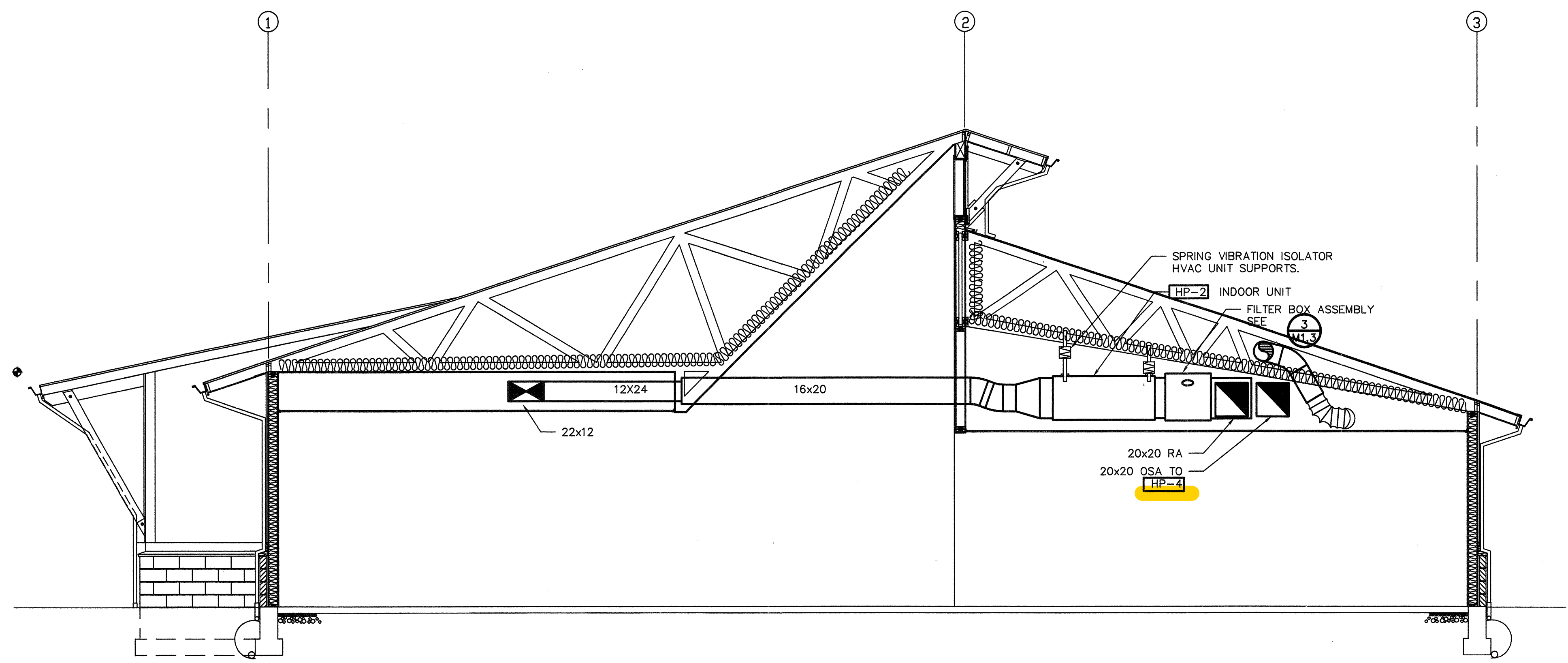
FILTER BOX ASSEMBLY DETAIL
NO SCALE
3
M1.3



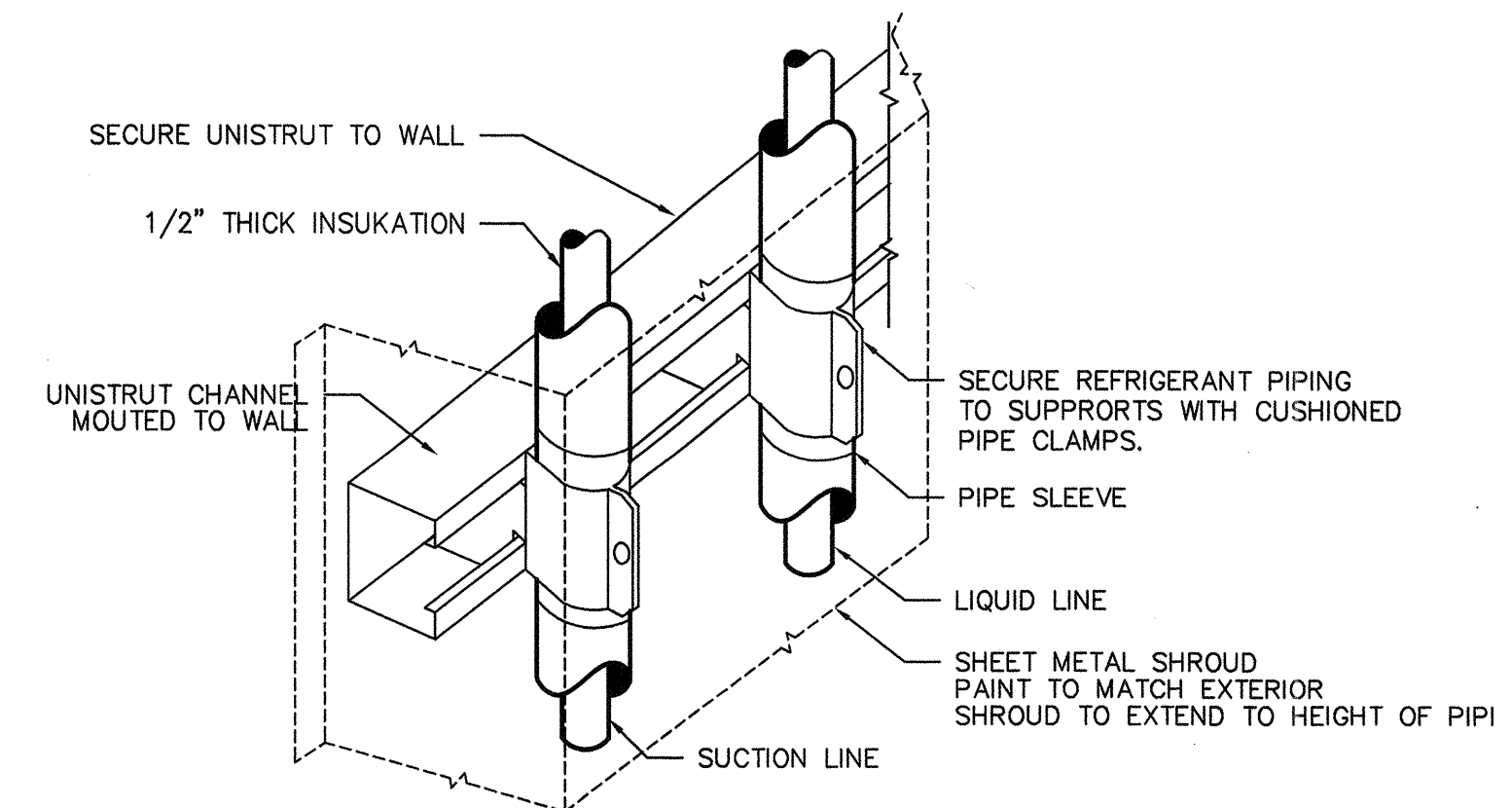
SECTION
SCALE: 1/4" = 1'-0"
A
M1.0



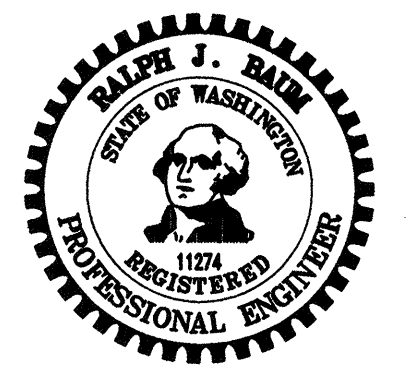
RELIEF AIR GRILLE ASSEMBLY
NO SCALE
2
M1.3



SECTION
SCALE: 1/4" = 1'-0"
C
M1.2



REFRIGERANT PIPING SUPPORT
NO SCALE
1
M1.3



EXPIRES: 8/21/2001

Issue	Description	Date
PERMIT SET		07-12-2000
BID SET		07-21-2000

Project Title:
GRANITE FALLS LIBRARY

Sheet Title:
SECTIONS AND DETAILS

Scale: AS NOTED
Project No: 99035
Date: 07-21-2000

Sheet No:

M1.3