

**HVAC SECTION**  
 SCALE: 1/4"=1'-0"

Issue	Description	Date
1.	CONSTRUCTABILITY REV.	3-25-02
2.	CONSTRUCTABILITY REV.	4-5-02
3.	BID SET	4-22-02
4.	CONSTRUCTION SET	6-28-02

Project Title: \_\_\_\_\_

## SNOHOMISH LIBRARY

Revision	Description	Date

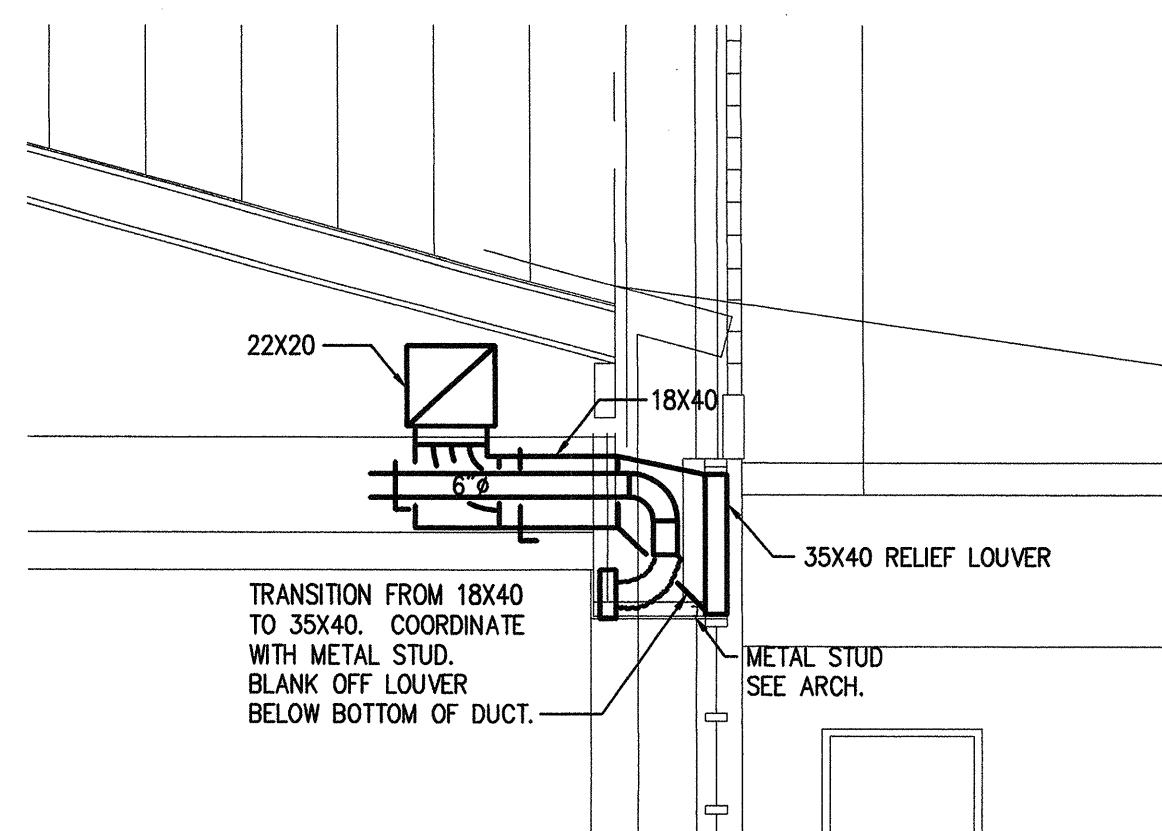
Sheet Title:  
**HVAC DETAILS**

Scale: 1/4"=1'-0"  
 Project No: 20022  
 Date: 06-28-02

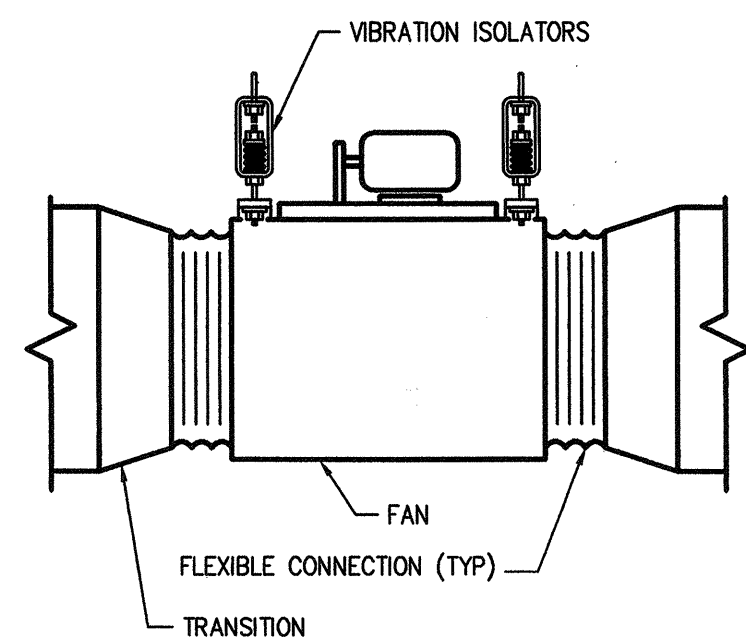
Sheet No: \_\_\_\_\_

# M1.5

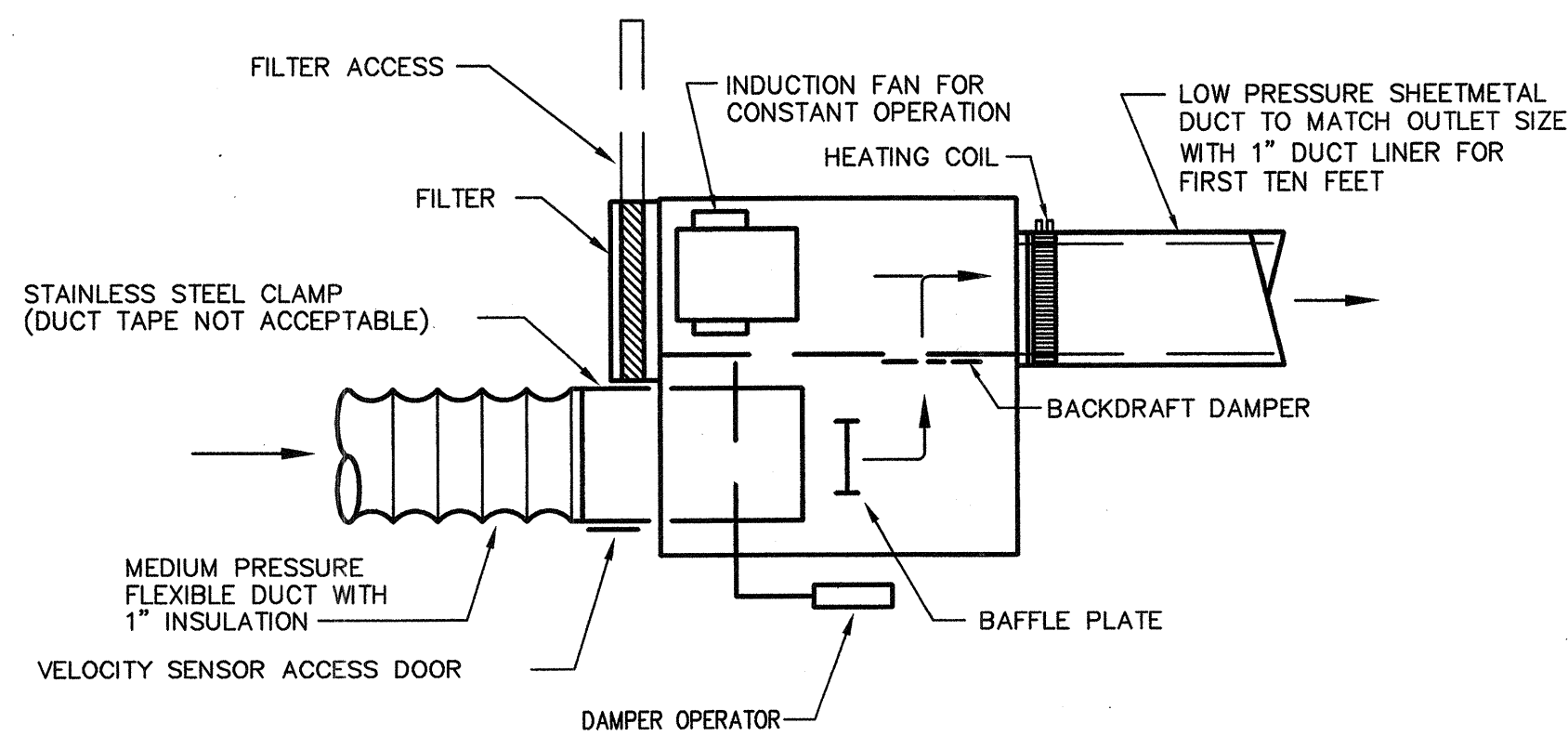
CONST. SET 6-28-02



**HVAC SECTION**  
 SCALE: 1/4"=1'-0"



**INLINE FAN DETAIL**  
 NO SCALE



**FAN POWERED VAV BOX**  
 NO SCALE