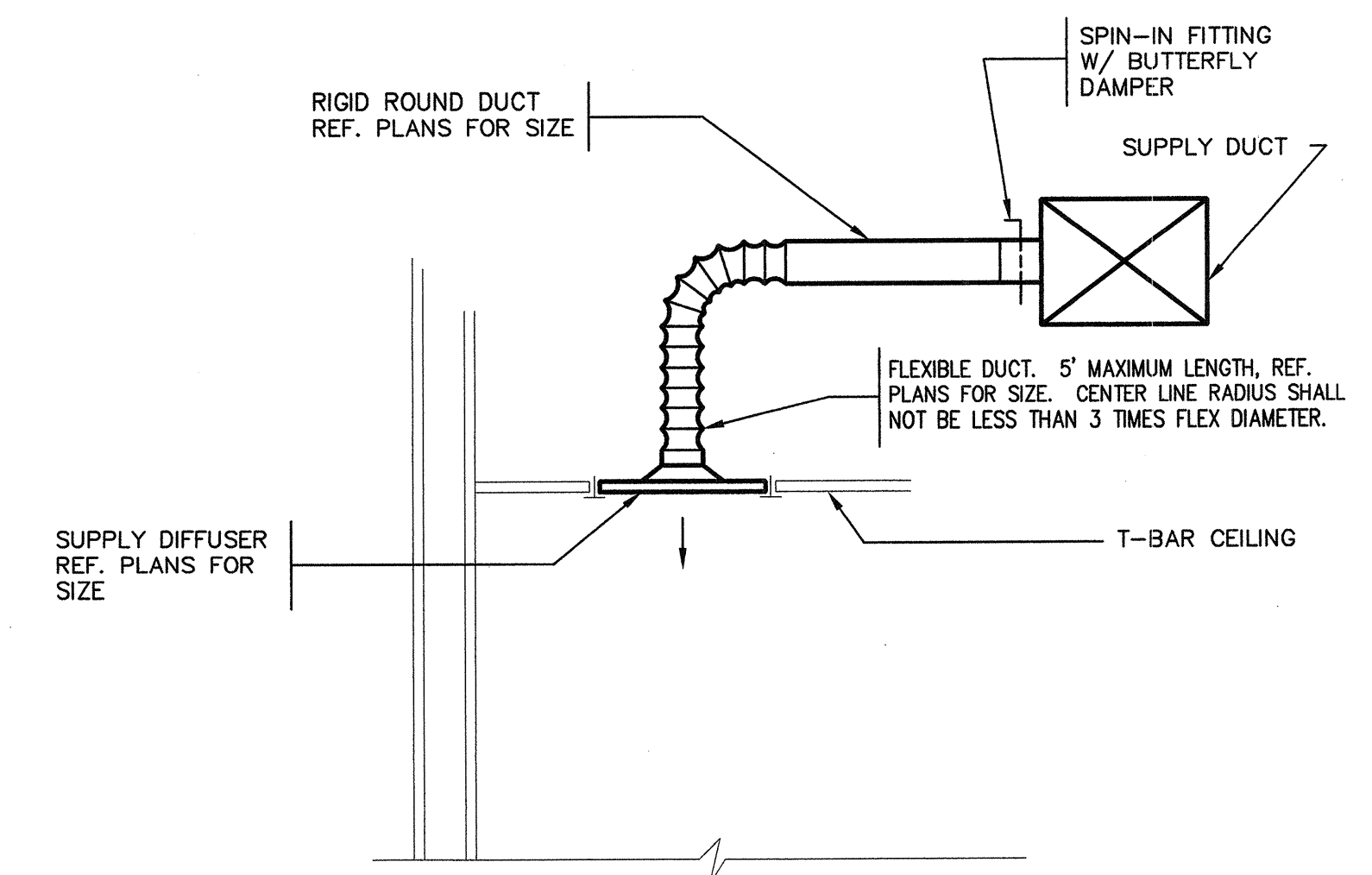


NOTE:
 IF FLEX. DUCT SIZE INDICATED ON PLAN IS LARGER THAN
 INLET TO CHANNEL AIR DIFFUSER, PROVIDE REDUCING
 FITTING AT DIFFUSER INLET.

CEILING DIFFUSER CONNECTION

NO SCALE



SUPPLY DIFFUSER

NO SCALE

Issue	Description	Date
1.	CONSTRUCTABILITY REV.	3-25-02
2.	CONSTRUCTABILITY REV.	4-5-02
3.	BID SET	4-22-02
4.	CONSTRUCTIDN SET	6-28-02

Project Title: _____

SNOHOMISH LIBRARY

Revision	Description	Date

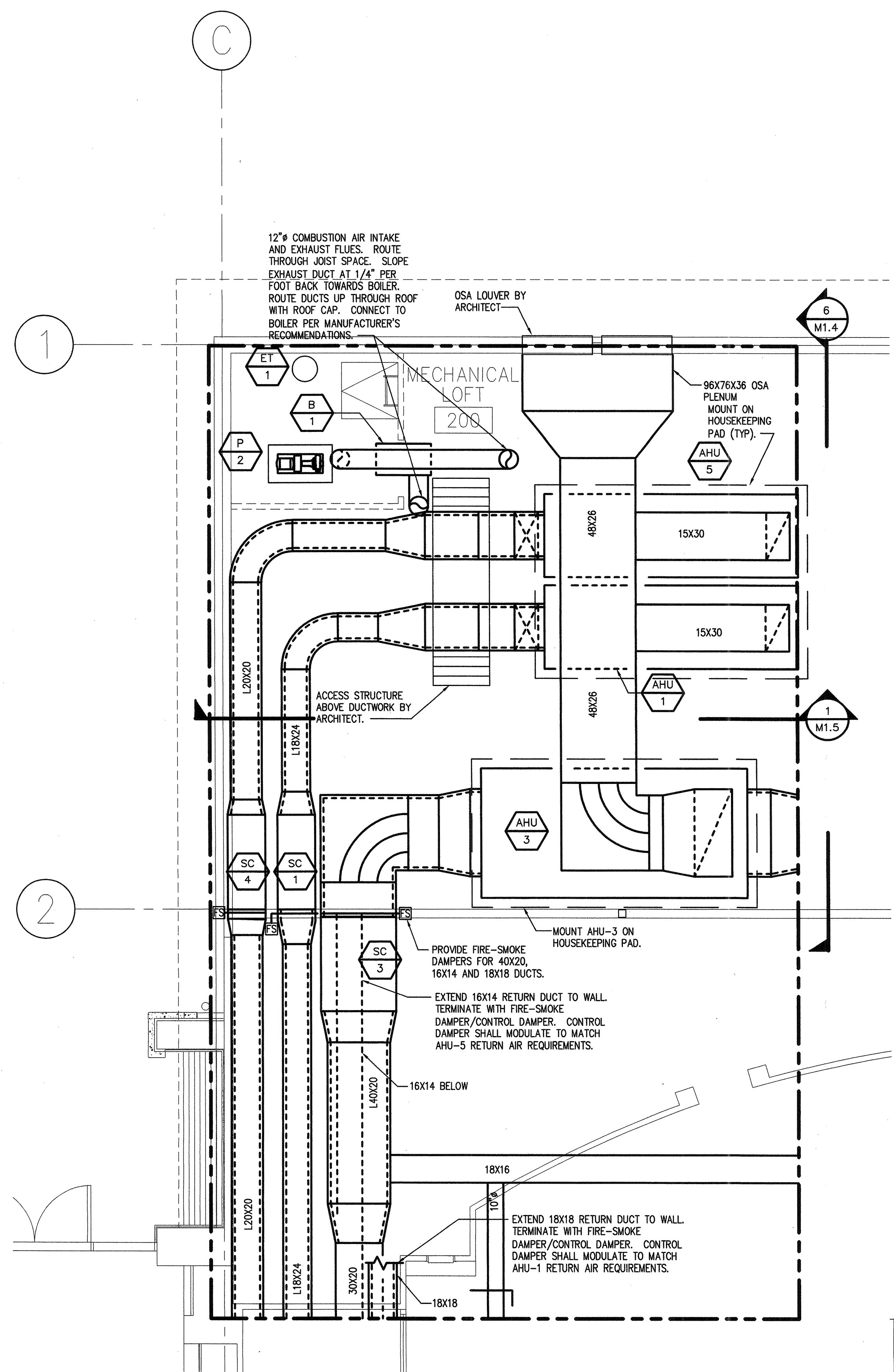
HVAC DETAILS

Scale: 1/4"=1'-0"
 Project No: 20022
 Date: 06-28-02

Sheet No: _____

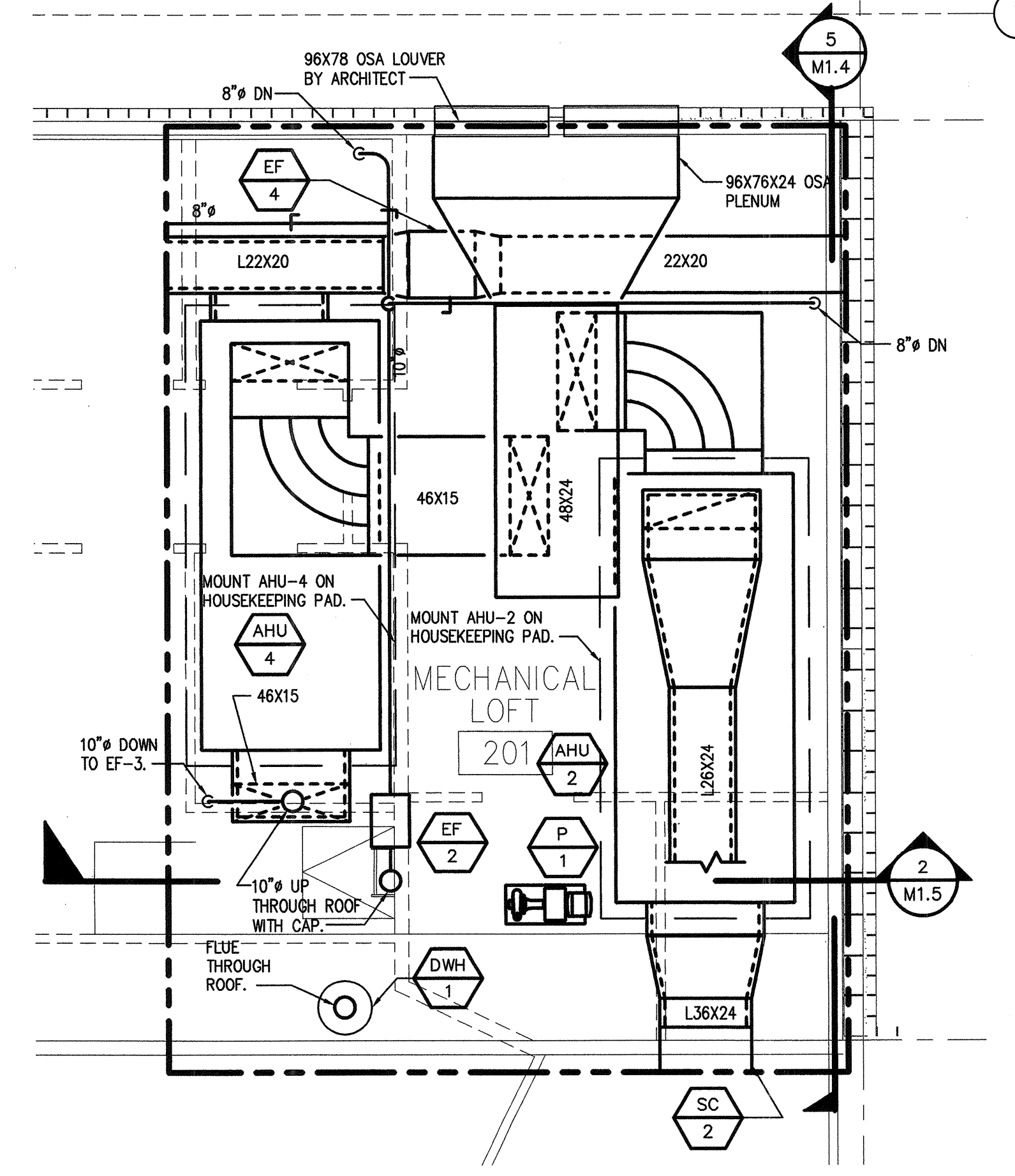
M1.4

CONST. SET 6-28-02



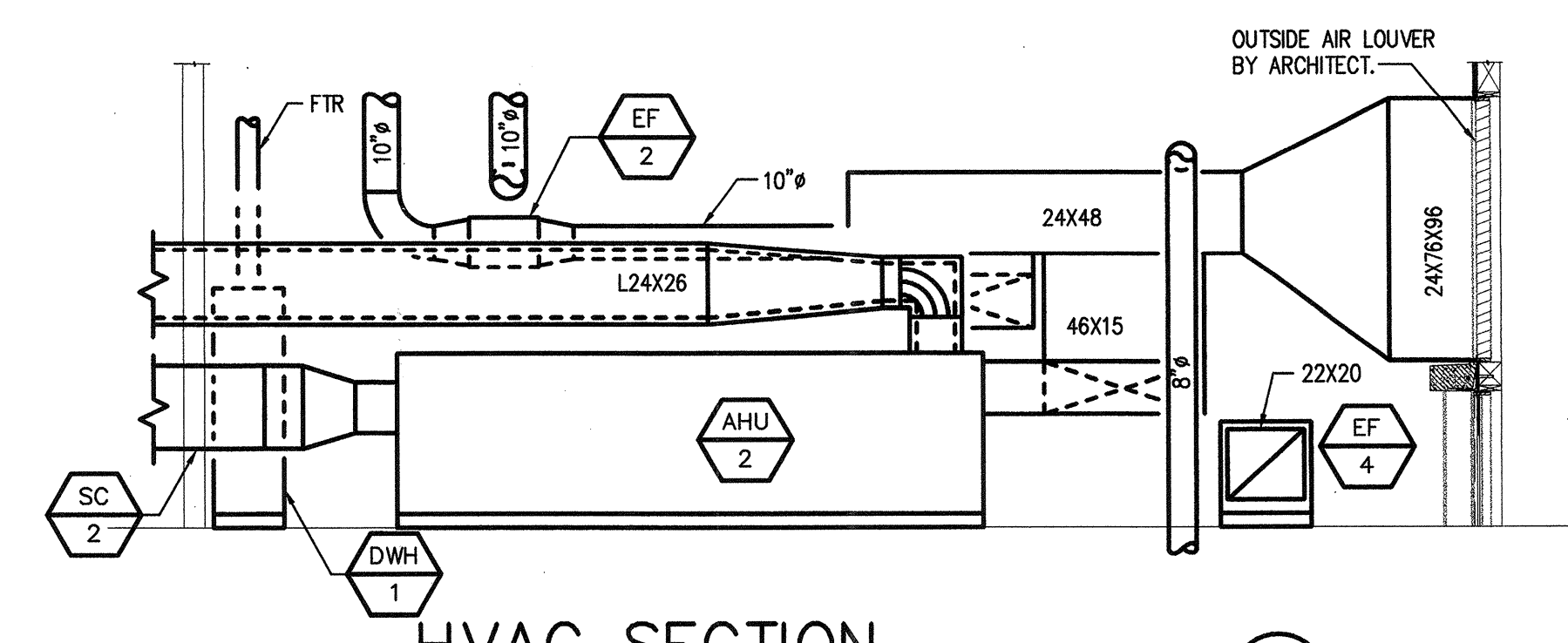
HVAC PLAN

SCALE: 1/4"=1'-0"



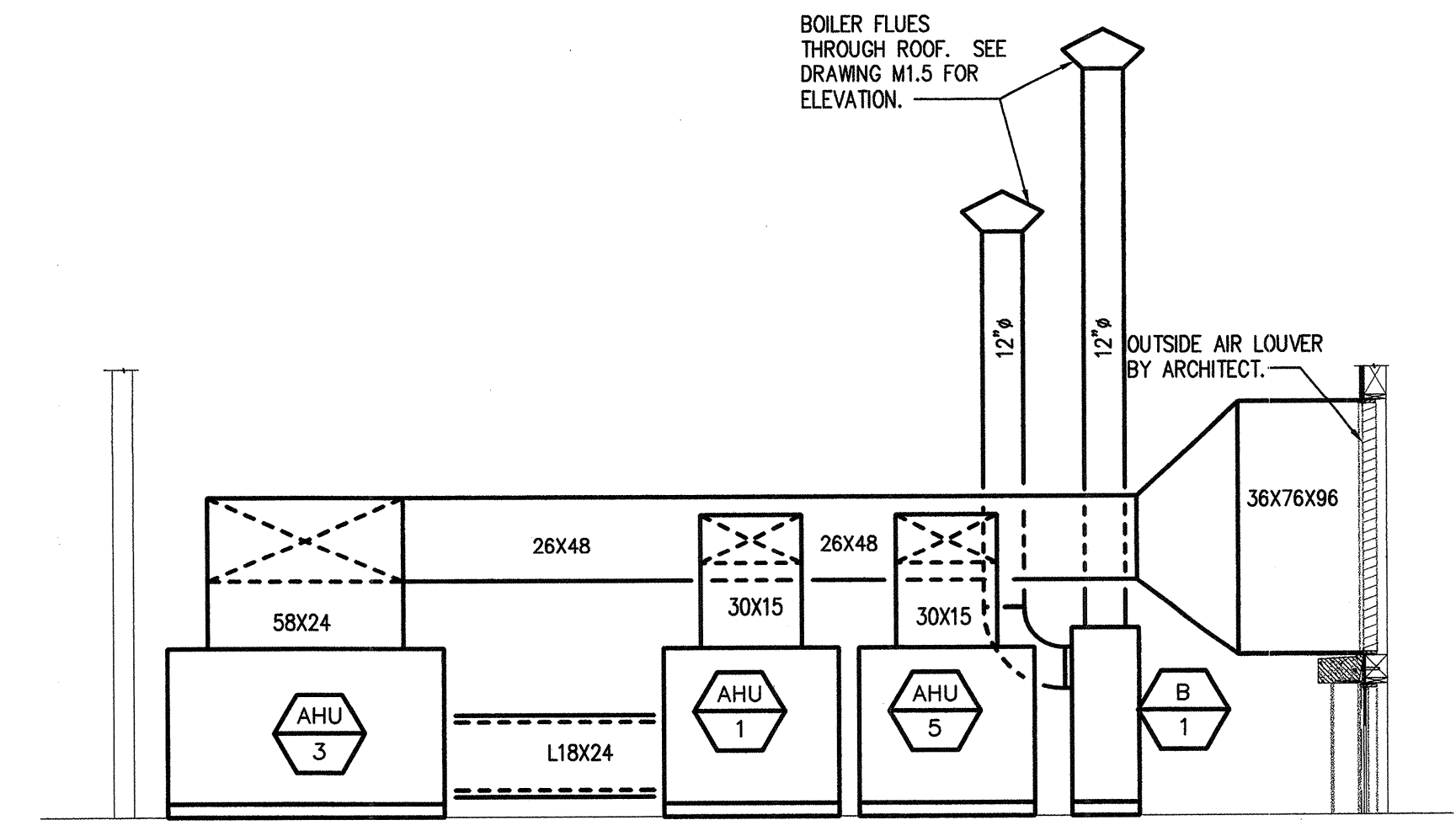
HVAC PLAN

SCALE: 1/4"=1'-0"



HVAC SECTION

SCALE: 1/4"=1'-0"



HVAC SECTION

SCALE: 1/4"=1'-0"