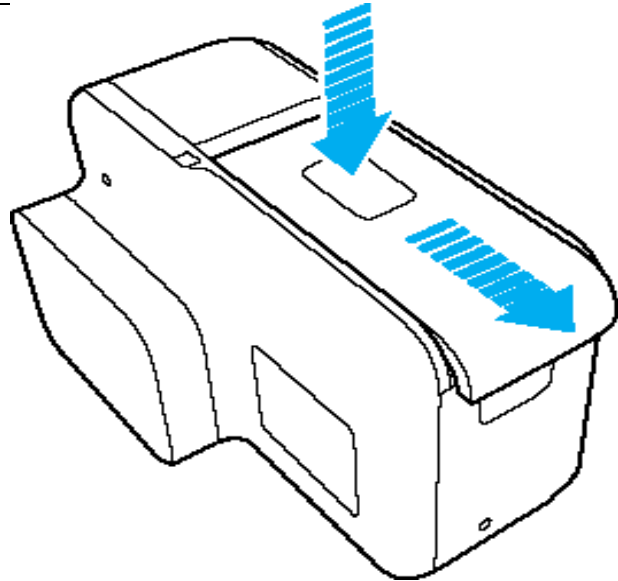


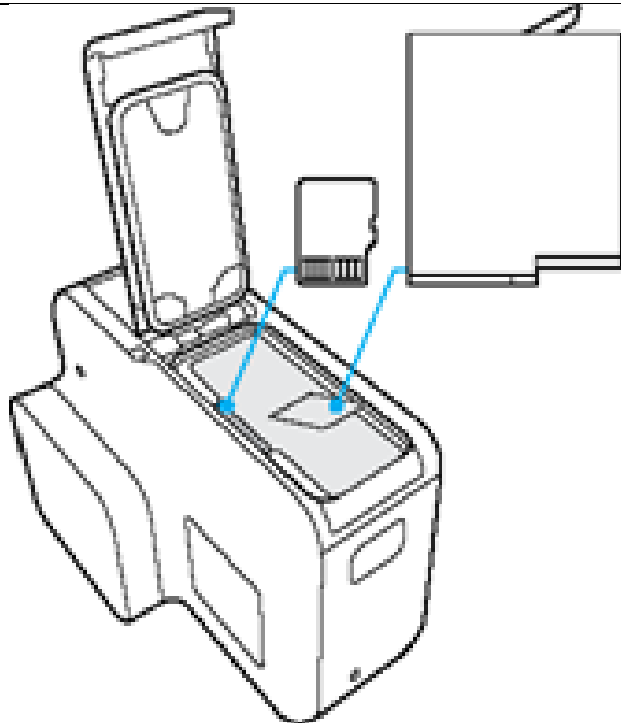
Open the battery door.



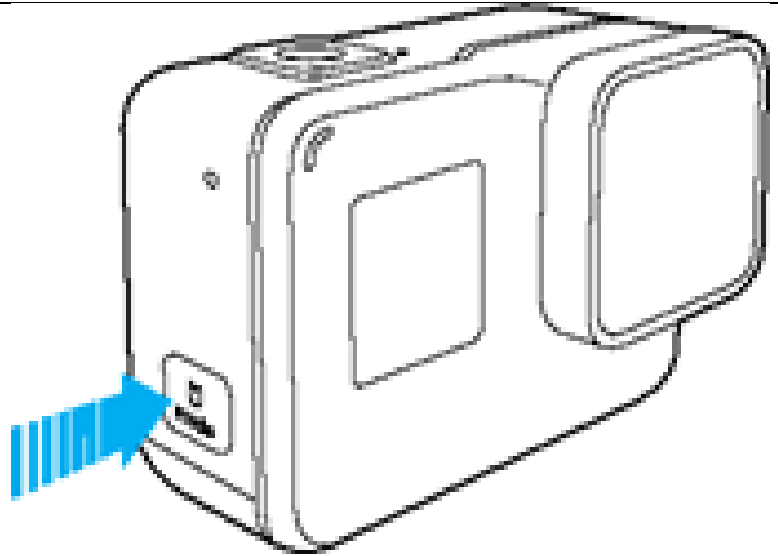
NOTICE

The camera is not waterproof when the doors are open.

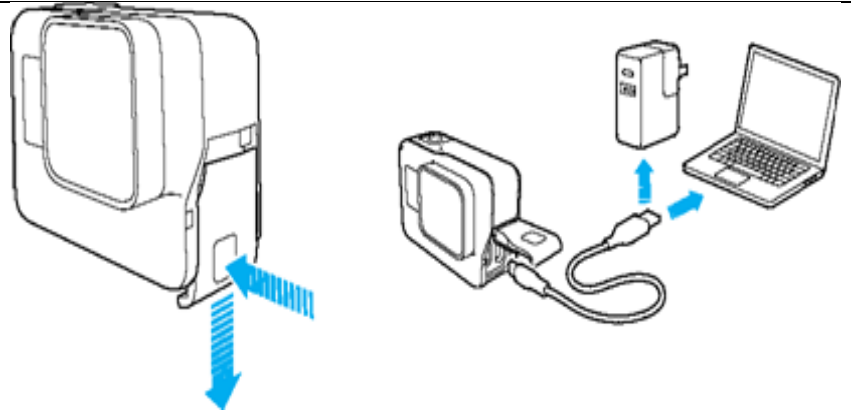
Insert a microSD card + battery.



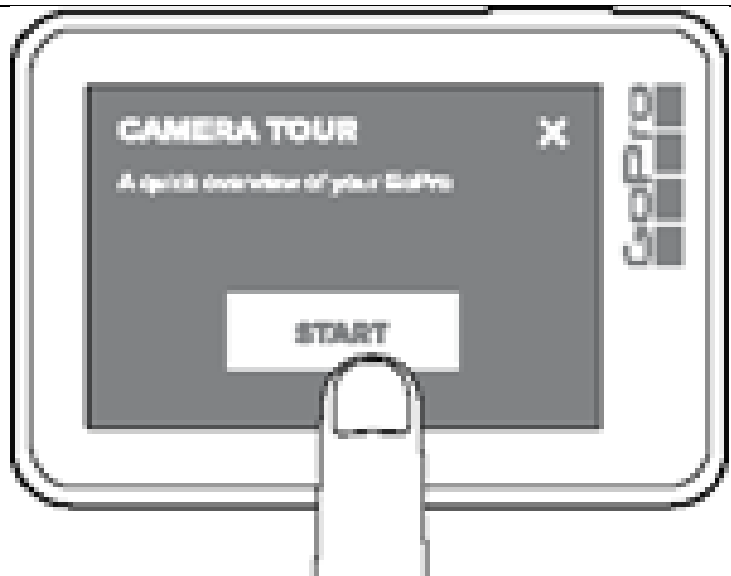
Power on the camera.



Open the side door.
Charge the battery.



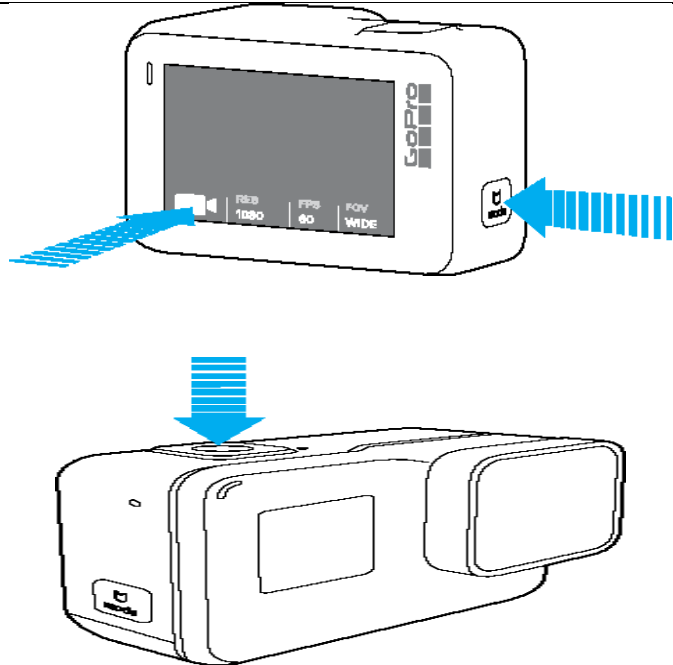
Take the camera tour.



CAPTURE VIDEO + PHOTOS

Select the desired camera mode with the touch display or Mode button.

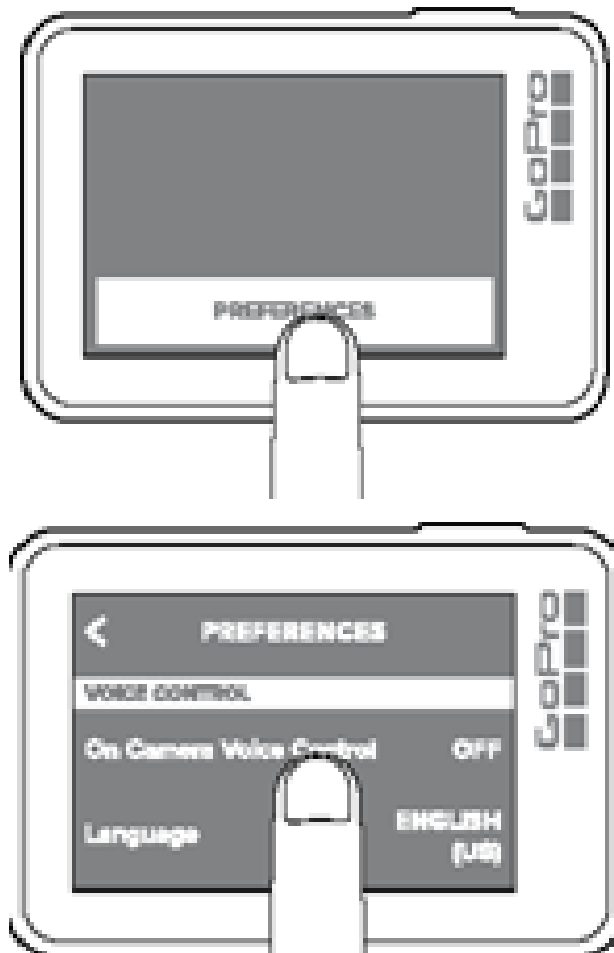
Press the Shutter button to start and stop recording.



VOICE CONTROL

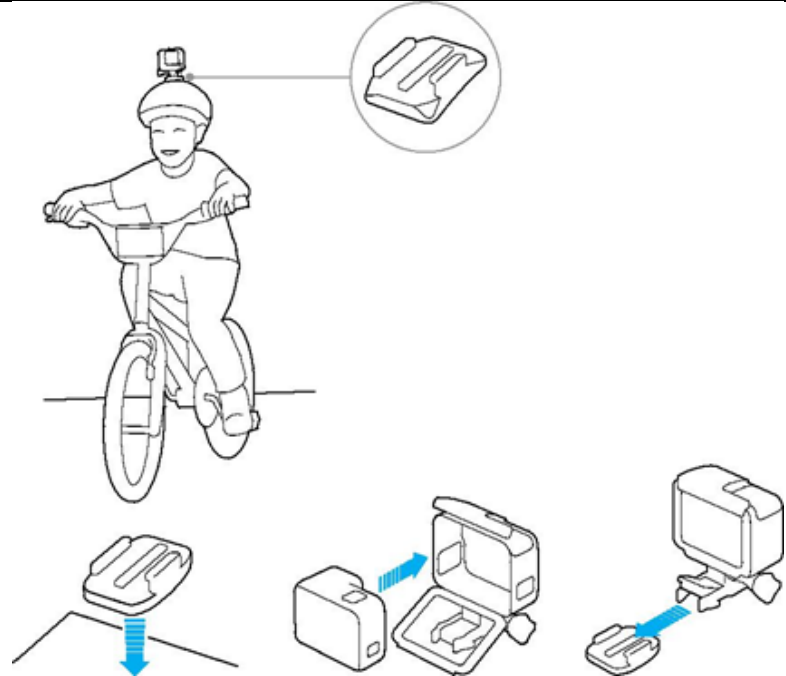
1. Swipe down, then tap Preferences > On Camera Voice Control.
2. Select a language. For English and Spanish, be sure to choose your dialect.
3. Tap On.
4. Say a command:
 - GoPro start recording
 - GoPro stop recording
 - GoPro take a photo

To see all the commands, go to Preferences > List of Commands



CAMERA MOUNTING

Use accessory kit (helmet and chest)



APPS

Capture and create stunning videos.



CAPTURE

Live preview, playback + full camera control.



QUIK™ Awesome edits made easy.



QUIK | DESKTOP

Import and enjoy your footage, and create awesome videos with just a few clicks.

Download at gopro.com/apps

UPDATE GOPRO

Connect to the Capture app or Quik desktop app to check for updates and get the latest camera features.

YouTube Videos	https://www.youtube.com/watch?v=sPGC8op_0nE (Quick Start) https://www.youtube.com/watch?v=4Dj6EmM0d1o (Advanced Settings) https://www.youtube.com/watch?v=WY8ik69JHIM (Capturing photos and Videos)
----------------	---